

## APPLICATION NOTE



### Line filter – The last barrier in the switch mode power supply

ANP015 BY STEFAN KLEIN

#### 1. Motivation for the line filter

Switch mode power supplies result in conducted interference because they generate radio interference voltage on the mains side. This can interfere with other equipment supplied with mains power. Line filters help to suppress the generated radio interference voltage. These can easily be designed from passive components such as current-compensated line chokes and X / Y capacitors. This article concerns the design of a single-phase line filter.

#### 2. Parasitic currents at the switch mode power supply input

Parasitic currents result in radio interference voltage via impedances. Figure 1 shows the main current flow of parasitic currents in a switch mode power supply.

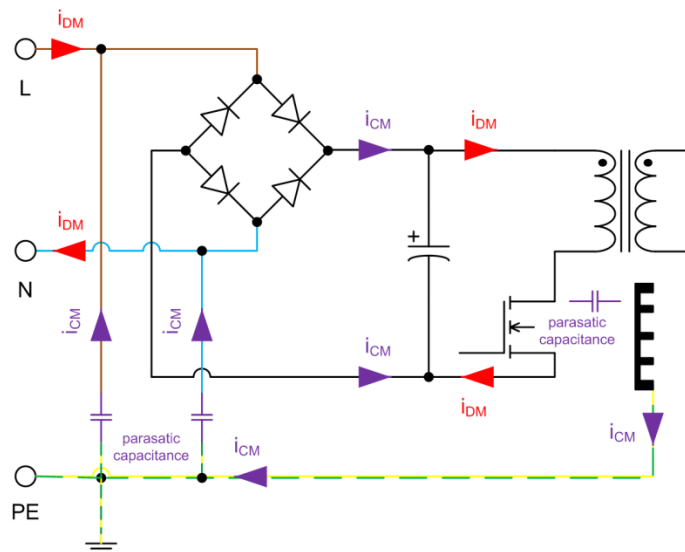


Figure 1: Parasitic currents at the switch mode power supply input

Initially, a high frequency active current " $i_{DM}$ " flows on the mains side with the pulse frequency of the switching regulator which results in differential mode interference. Caused by fast switching processes of semiconductor components, usually MOSFETs, high frequency oscillations occur in combination with parasitic effects. In principle, the differential mode current flows from the mains power line "L" over a rectifier bridge, then over the primary winding of the isolating transformer, over the MOSFET and over the neutral conductor "N" back to the mains. The MOSFET is mounted on a heat sink for cooling. In turn, this is connected to the protective earth conductor "PE". Capacitive coupling between the heat sink and the drain of the MOSFET occurs here and produces common mode interference. A capacitively coupled common mode current " $i_{CM}$ " now flows along the earth line "PE" back to the switch mode power supply input where it is coupled again via parasitic capacitance both on the mains power line "L" as well as on the neutral line "N". The common mode current " $i_{CM}$ " now flows as shown in Figure 1 over both mains power lines, via the rectifier bridge to the MOSFET, where it is again parasitically coupled via the heat sink to the earth line "PE".

## APPLICATION NOTE



### Line filter – The last barrier in the switch mode power supply

#### 3. Expected interference spectrum

The rectified mains voltage is applied at the drain-source section. The peak level of the rectified mains voltage corresponds to:

$$V_p = 230 \text{ V} \cdot \sqrt{2} = 325 \text{ V} \quad (\text{Eq.1})$$

A switch mode power supply with pulse frequency of 100 kHz has been used as an example. For this pulse frequency, the timing signal corresponds to "T" 10  $\mu\text{s}$ . The pulse duration is 2  $\mu\text{s}$ . Based on this, the duty cycle can first be determined:

$$D = \frac{t_{\text{on}}}{T} = \frac{2 \mu\text{s}}{10 \mu\text{s}} = 0.2 \quad (\text{Eq.2})$$

Assuming that the current through the rectifier bridge is trapezoidal, the EMC spectrum without line filter and without further Fourier transformation can be approximately determined. The first corner point of the enclosing amplitude spectral density is needed first:

$$n_{\text{co1}} = \frac{1}{\pi \cdot D} = \frac{1}{\pi \cdot 0.2} = 1.592 \quad (\text{Eq.3})$$

The first corner frequency of the enclosing amplitude spectral density is analogous to this:

$$f_{\text{co1}} = n_{\text{co1}} \cdot f_{\text{CLK}} = 1.592 \cdot 100 \text{ kHz} = 159.2 \text{ kHz} \quad (\text{Eq.4})$$

The amplitude of the first harmonic can be determined from this:

$$c_1 = \frac{2 \cdot V_p}{n_{\text{co1}} \cdot \pi} = \frac{2 \cdot 325 \text{ V}}{1.592 \pi} = 130 \text{ V} \quad (\text{Eq.5})$$

Based on the assumption that the parasitic coupling capacitance "C<sub>p</sub>" between the switch mode power supply and ground is 20 pF, the first harmonic common mode current can now be determined:

$$I_{\text{cm1}} = \frac{2\pi \cdot f_{\text{co1}} \cdot C_p \cdot C_1}{\sqrt{(50\pi \cdot f_{\text{co1}} \cdot C_p)^2 + 1}} = \frac{2\pi \cdot 159.2 \text{ kHz} \cdot 20 \text{ pF} \cdot 130 \text{ V}}{\sqrt{(50\pi \cdot 159.2 \text{ kHz} \cdot 20 \text{ pF})^2 + 1}} = 2.6 \text{ mA} \quad (\text{Eq.6})$$

The radio interference voltage is measured using a Line Impedance Stabilization Network (LISN) and an EMC test receiver. Due to the parallel connection of the 50  $\Omega$  input impedance of the EMC test receiver and the 50  $\Omega$  output impedance of the LISN, total impedance "Z" of 25  $\Omega$  is produced. The measured radio interference voltage "V<sub>cm</sub>" can now be calculated:

$$V_{\text{cm}} = Z \cdot I_{\text{cm1}} = 25 \Omega \cdot 2.6 \text{ mA} = 0.065 \text{ V} \quad (\text{Eq.7})$$

Converted to dB $\mu\text{V}$ , this gives:

$$V_{(\text{dB}\mu\text{V})} = 20 \cdot \log\left(\frac{0.065 \text{ V}}{1 \mu\text{V}}\right) = 96.26 \text{ dB}\mu\text{V} \quad (\text{Eq.8})$$

## APPLICATION NOTE



### Line filter – The last barrier in the switch mode power supply

The result of the calculation is that high interference emissions can be expected. For example, the product family standard EN 55022 can be used here for assessment of the interference emission. In the frequency range of 0.15 MHz to 0.5 MHz, it defines a permissible Quasi-Peak weighted interference level of 66 dB $\mu$ V to 56 dB $\mu$ V. Figure 2 shows the result of the measurement of the conducted radio interference voltage of this switch mode power supply without line filter.

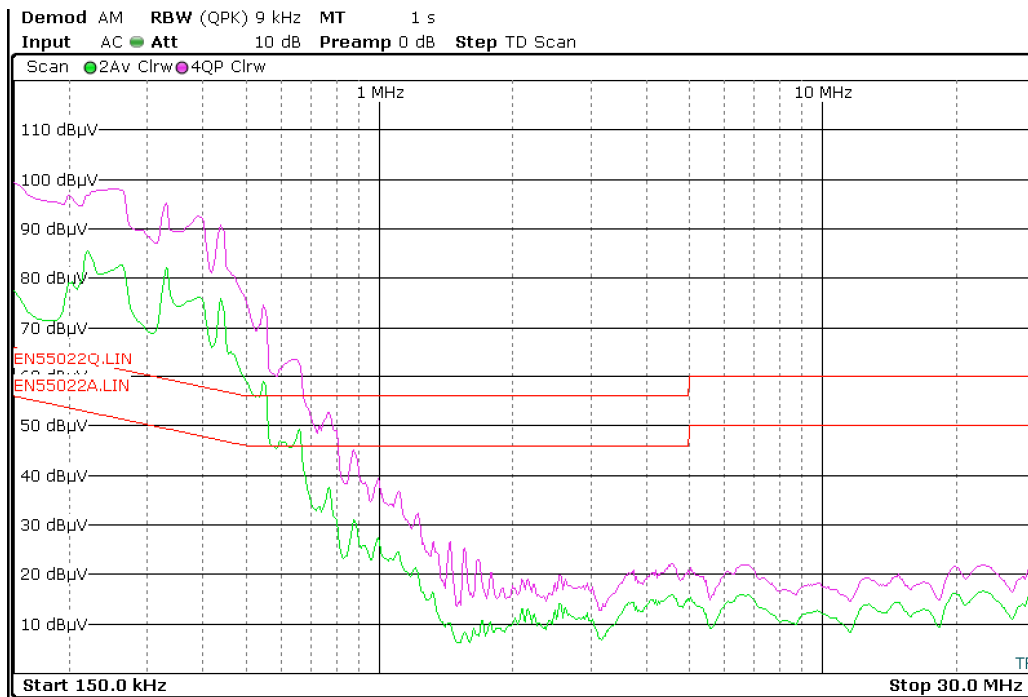


Figure 2: Radio interference voltage of a switch mode power supply without line filter

The measurement shows that a line filter is absolutely essential.

#### 4. Design of a line filter

Figure 3 shows the schematic design of a simple single-phase line filter. Würth Elektronik provides various models of line chokes, such as the WE-CMB series, for the construction of line filters. A line choke basically consists of a MnZn ring core on which there are two geometrically separated windings wound in opposite directions. Figure 4 shows the design of the WE-CMB. In this case, the WE-CMB acts like a filter coil which counteracts the current and reduces its amplitude. A common mode choke with as low as possible SRF in the lowest frequency range should be selected because the switch mode power supply used here switches with very low pulse frequency. Low SRF causes high attenuation in the lower frequency range.

# APPLICATION NOTE



## Line filter – The last barrier in the switch mode power supply

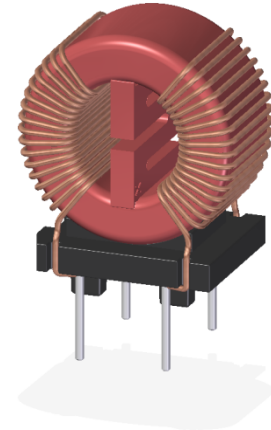
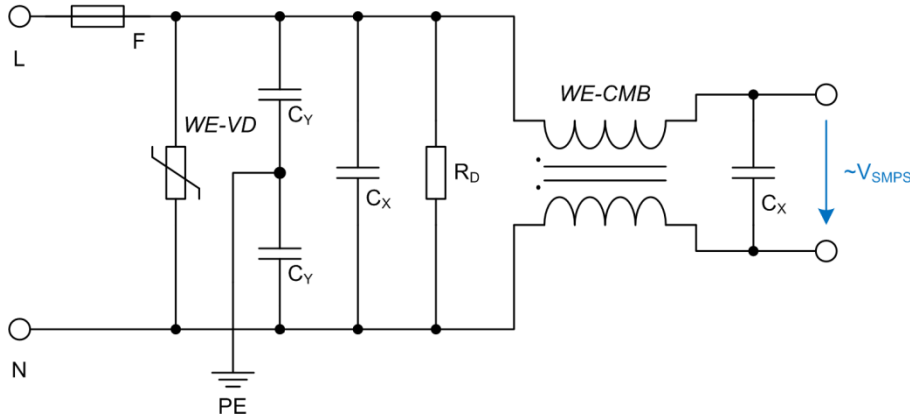


Figure 3: Single-phase line filter

Figure 4: Design of the WE-CMB

A suitable WE-CMB, size XS with 39 mH of inductance the Figure 5 shows the characteristic curve of its attenuation in the 50 Ω system.

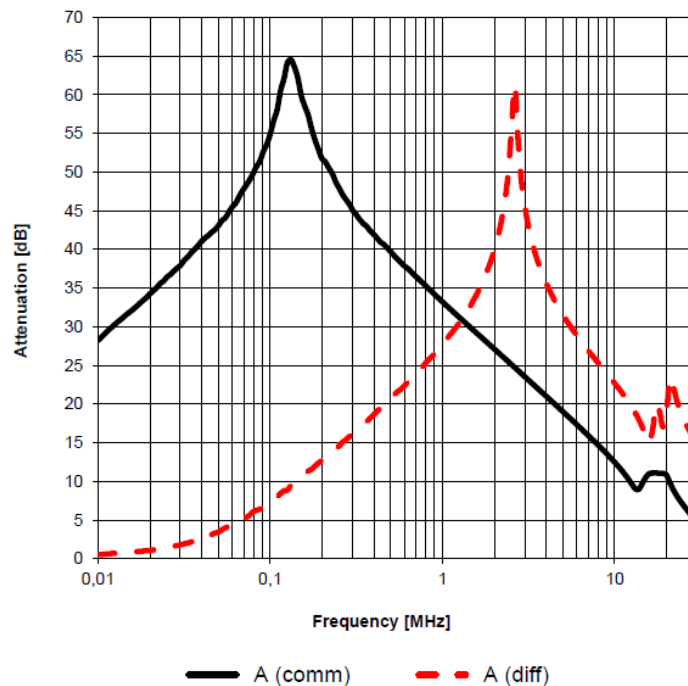


Figure 5 Attenuation of the WE-CMB XS 39 mH

A distinction is always made in the attenuation between the common mode (black line) and differential mode (red, dashed line) suppression. In common mode operation, the WE-CMB line choke reaches its maximum attenuation at 150 kHz. However, the attenuation drops with increasing frequency. Other X / Y capacitors are required because the line filter should suppress interference up to 30 MHz. An X capacitor is placed both before as well as after the line filter to block differential mode interference from the mains side and the switch mode power supply. With its leakage inductance, the WE-CMB in combination with the X capacitor forms a low pass filter which reduces the differential mode interference and subsequent common mode interference. Two X capacitors with a value of 330 nF have been selected here as an example. Their SRF is approx. 2 MHz.

## APPLICATION NOTE



### Line filter – The last barrier in the switch mode power supply

For safety reasons, a resistor must be placed on the mains side in parallel with the X capacitor to discharge the capacitor if the switch mode power supply is disconnected from the mains. A varistor should also be placed before the line filter so that transient overvoltages from the mains are short-circuited. Würth Elektronik disk varistors from the WE-VD series are ideally suitable for this. Overload protection such as a fuse must also be considered and this should always be placed before the varistor. The protection trips in the case of a short-circuit by the varistor. Y capacitors are required for further suppression of the common mode interference. In combination with the WE-CMB, they form a corner frequency " $f_0$ " which is defined by the "Thomson" oscillation equation:

$$f_0 = \frac{1}{2 \pi \sqrt{L \cdot C}} \quad (\text{Eq.9})$$

Attenuation of 40 dB is required to achieve levels below the permissible interference level of 66 dB $\mu$ V (at 150 kHz). This corresponds to two decades in the logarithmic representation. One tenth of the pulse frequency is used as factor for the corner frequency or further calculation of the Y capacitors. The oscillation equation is now converted and used to determine the Y capacitance:

$$C_Y = \frac{1}{\left(2 \pi \cdot \frac{f_{\text{CLK}}}{10}\right)^2 \cdot L_{\text{CMC}}} = \frac{1}{\left(2 \pi \cdot \frac{100 \text{ kHz}}{10}\right)^2 \cdot 39 \text{ mH}} = 6.5 \text{ nF} \quad (\text{Eq.10})$$

As two Y capacitors are needed, the calculated value is divided by two. Y capacitors conduct common mode interference from the switch mode power supply back to the protective earth. Depending on the device type, only leakage currents of 0.25 mA to  $\leq$  3.5 mA are permissible, no capacitance with a value greater than 4.7 nF should be used. Two Y capacitors with an E 12 value of 2.2 nF have been selected for this reason. Figure 6 shows the result of the measurement with this line filter.

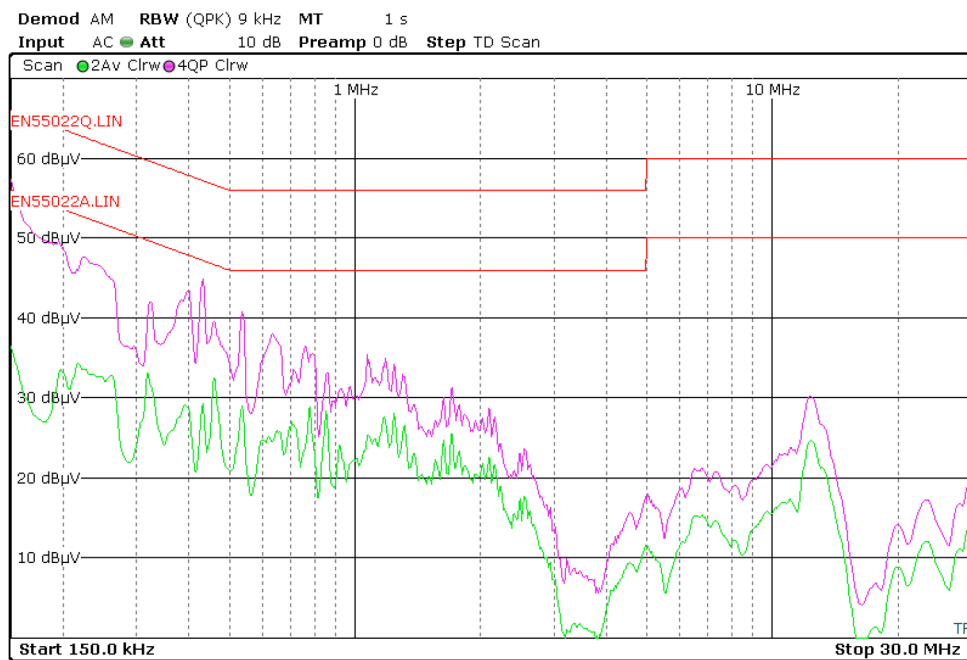


Figure 6: Radio interference voltage with line filter

## APPLICATION NOTE



### Line filter – The last barrier in the switch mode power supply

With the filter in circuit, the result of the radio interference voltage test is a pass. The margin between the respective interference limits and the quasi peak and average measurements at the frequency of 150 kHz is greater than 10dB, and this margin significantly increases across the frequency range.

#### 5. Optimisation of the line filter

It is also possible to further increase the signal to interference ratio in the lower frequency range. Two X capacitors with 330 nF are replaced with two 1.5  $\mu$ F X capacitors for this. Figure 7 shows the measurement of the optimized line filter.

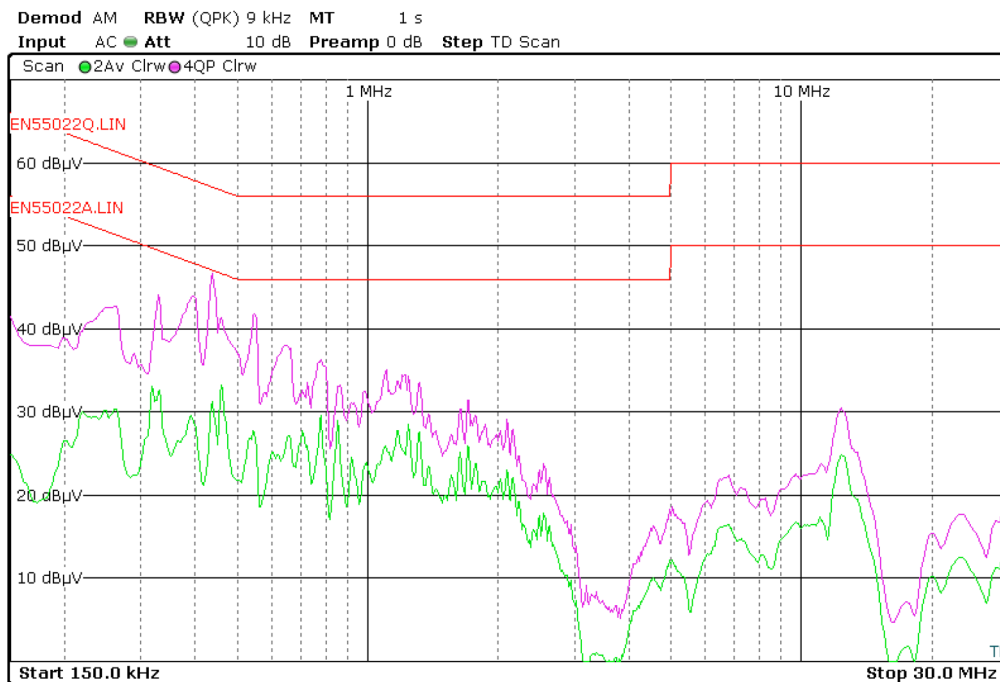


Figure 7: Radio interference voltage with optimised line filter

The change of the capacitance causes a reduction of the radio interference voltage of approx. 15 dB in the lower frequency range. A greater signal to interference ratio has been achieved and a good line filter designed.

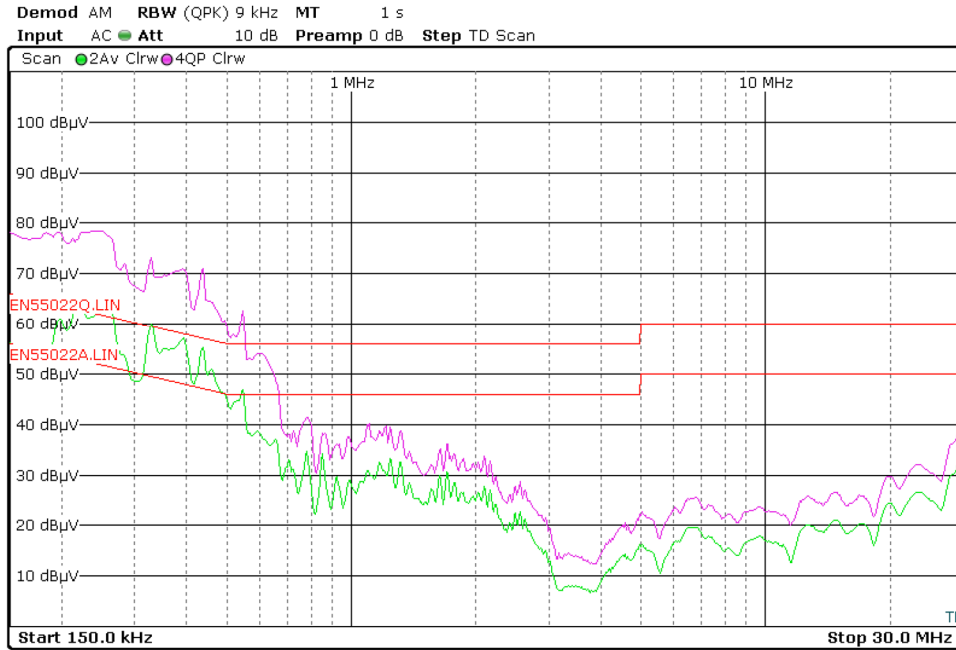
#### 6. Error due to dispensing with line choke

It is often tried at the beginning to only use X and Y capacitors to suppress interference in order to dispense with a common mode choke. However, this is contrary to the principle of the line filter of counteracting the interference current by adding a high-impedance filter element. The radio interference voltage using the same filter without common mode choke has been measured as an experiment. Figure 8 shows the measurement.

# APPLICATION NOTE



## Line filter – The last barrier in the switch mode power supply

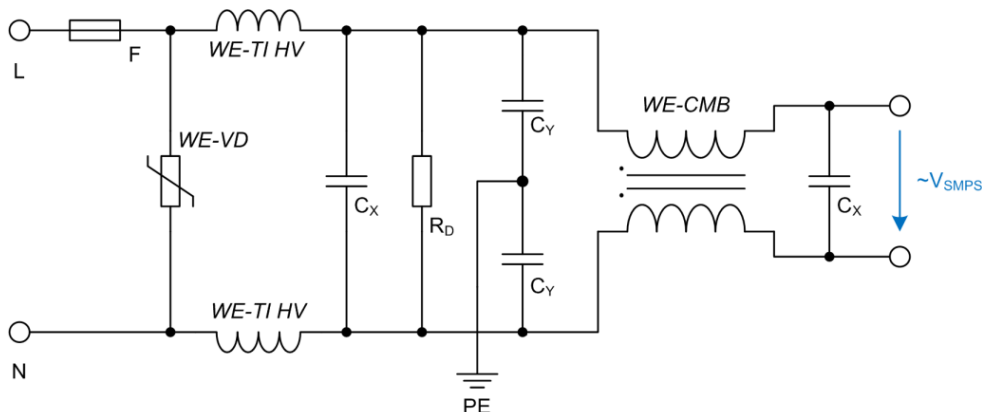


**Figure 8: Radio interference voltage with line filter without WE-CMB**

As expected, the interference emission in the lower frequency range increases strongly without the WE-CMB line choke. At 200 kHz, the quasi peak shows a value of approx.78 dBµV and the average shows a value of 60 dBµV. The permissible interference level is exceeded up to 600 kHz both by the quasi peak as well as by the average measurement. A line filter without a line choke is inadequate!

### 7. Additional differential mode filter

If the differential mode suppression using the WE-CMB and the X capacitors is not sufficient, an additional differential mode filter consisting of two coils connected in series helps. Figure 9 shows the design.



**Figure 9: Line filter with WE-CMB and WE-TI HV**

## APPLICATION NOTE



### Line filter – The last barrier in the switch mode power supply

The Würth Elektronik coils WE-TI HV and WE-PD2 HV or the WE-SD series are ideally suitable for the differential mode suppression. The WE-UKW series is recommended in the case of high frequency interference. The "Thomson" oscillation equation can be used again here to calculate the coils. If attenuation of 40 dB / decade would be required from each coil, the calculation should be made with a corner frequency of one tenth of the pulse frequency.

The already used X value of the X capacitors can be used for the calculation of the coil:

$$L_{DM} = \frac{1}{\left(2 \pi \cdot \frac{f_{CLK}}{10}\right)^2 \cdot C_X} = \frac{1}{\left(2 \pi \cdot \frac{100 \text{ kHz}}{10}\right)^2 \cdot 330 \text{ nF}} = 767 \mu\text{H} \quad (\text{Eq.11})$$

As the coils for the differential mode current are in series, the calculated value is divided by two. The next larger inductance value of a WE-TI HV would be 470  $\mu\text{H}$ . It should be ensured for the selection of a differential mode coil that its rated current " $I_R$ " is far above the rated current of the switch mode power supply input.

## 8. Result of the line filter

In conclusion, a line filter for switch mode power supplies without a common mode choke is not sufficient. Individual capacitors are not sufficient to completely suppress the interference emission. Additional longitudinal coils before the line filter help if further suppression of the differential mode interference is required. Using a line filter, all interference levels are below the permissible limit value and the switch mode power supply can pass an EMC test.



# APPLICATION NOTE



## Line filter – The last barrier in the switch mode power supply

### IMPORTANT NOTICE

The Application Note is based on our knowledge and experience of typical requirements concerning these areas. It serves as general guidance and should not be construed as a commitment for the suitability for customer applications by Würth Elektronik eiSos GmbH & Co. KG. The information in the Application Note is subject to change without notice. This document and parts thereof must not be reproduced or copied without written permission, and contents thereof must not be imparted to a third party nor be used for any unauthorized purpose.

Würth Elektronik eiSos GmbH & Co. KG and its subsidiaries and affiliates (WE) are not liable for application assistance of any kind. Customers may use WE's assistance and product recommendations for their applications and design. The responsibility for the applicability and use of WE Products in a particular customer design is always solely within the authority of the customer. Due to this fact it is up to the customer to evaluate and investigate, where appropriate, and decide whether the device with the specific product characteristics described in the product specification is valid and suitable for the respective customer application or not.

The technical specifications are stated in the current data sheet of the products. Therefore the customers shall use the data sheets and are cautioned to verify that data sheets are current. The current data sheets can be downloaded at [www.we-online.com](http://www.we-online.com). Customers shall strictly observe any product-specific notes, cautions and warnings. WE reserves the right to make corrections, modifications, enhancements, improvements, and other changes to its products and services.

WE DOES NOT WARRANT OR REPRESENT THAT ANY LICENSE, EITHER EXPRESS OR IMPLIED, IS GRANTED UNDER ANY PATENT RIGHT, COPYRIGHT, MASK WORK RIGHT, OR OTHER INTELLECTUAL PROPERTY RIGHT RELATING TO ANY COMBINATION, MACHINE, OR PROCESS IN WHICH WE PRODUCTS OR SERVICES ARE USED. INFORMATION PUBLISHED BY WE REGARDING THIRD-PARTY PRODUCTS OR SERVICES DOES NOT CONSTITUTE A LICENSE FROM WE TO USE SUCH PRODUCTS OR SERVICES OR A WARRANTY OR ENDORSEMENT THEREOF.

WE products are not authorized for use in safety-critical applications, or where a failure of the product is reasonably expected to cause severe personal injury or death. Moreover, WE products are neither designed nor intended for use in areas such as military, aerospace, aviation, nuclear control, submarine, transportation (automotive control, train control, ship control), transportation signal, disaster prevention, medical, public information network etc. Customers shall inform WE about the intent of such usage before design-in stage. In certain customer applications requiring a very high level of safety and in which the malfunction or failure of an electronic component could endanger human life or health, customers must ensure that they have all necessary expertise in the safety and regulatory ramifications of their applications. Customers acknowledge and agree that they are solely responsible for all legal, regulatory and safety-related requirements concerning their products and any use of WE products in such safety-critical applications, notwithstanding any applications-related information or support that may be provided by WE. CUSTOMERS SHALL INDEMNIFY WE AGAINST ANY DAMAGES ARISING OUT OF THE USE OF WE PRODUCTS IN SUCH SAFETY-CRITICAL APPLICATIONS.

### USEFUL LINKS

Application Notes:  
[www.we-online.com/appnotes](http://www.we-online.com/appnotes)

**REDEXPERT** Design Tool:  
[www.we-online.com/redexpert](http://www.we-online.com/redexpert)

Toolbox:  
[www.we-online.com/toolbox](http://www.we-online.com/toolbox)

Product Catalog:  
[katalog.we-online.de/en/](http://katalog.we-online.de/en/)

### CONTACT INFORMATION

Würth Elektronik eiSos GmbH & Co. KG  
Max-Eyth-Str. 1 · 74638 Waldenburg · Germany  
Tel. +49 7942 945 - 0 · Fax +49 7942 945 - 5000  
[appnotes@we-online.de](mailto:appnotes@we-online.de) · [www.we-online.com](http://www.we-online.com)